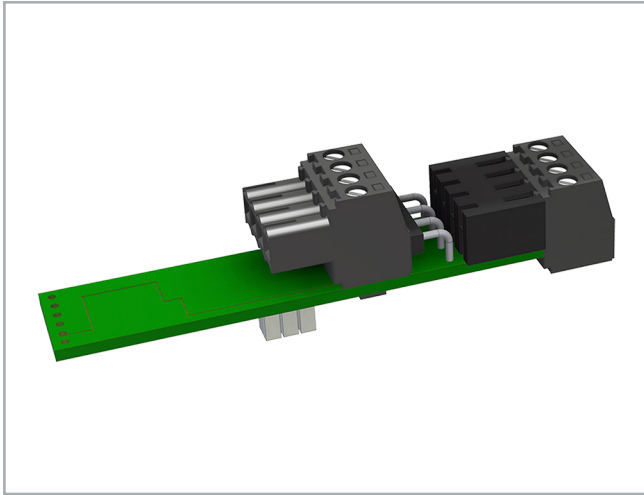


Regula Pulse

Adaptor



Description

Regula Pulse is an adaptor that safely connects your modulating CO₂ sensor or modulating humidity (RH) sensor to Regula Control Pascal or Regula Connect Pascal. An alternative version called Regula Pulse Combi is used if connecting the modulating CO₂ / RH sensor directly to a Regula Combi (SRC) via cable. This is only necessary when using Pascal program 6 and 8.

Specification

Conversion of an analog 0 - 10 V signal to a PWM signal with the period of 10 seconds. The PCB is designed to fit directly to Regula Control Pascal or Regula Connect Pascal.

Operating voltage: 24V AC/DC +/- 15%
 Power consumption: 0.3 W

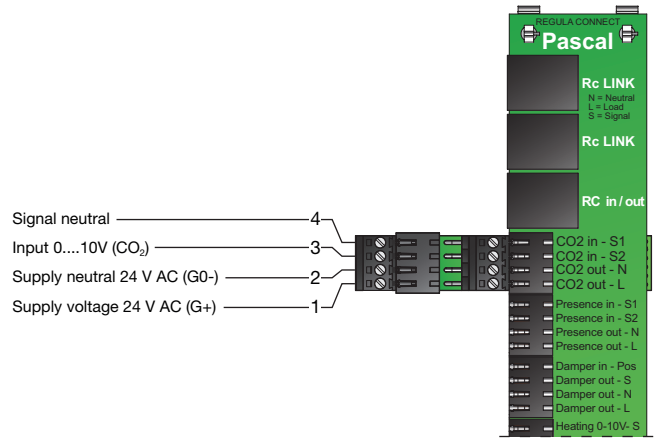
- Analog input:
 - Voltage Range 0...10V
 - Resolution 12 bits
 - Input load 24 ohm resistor
- PWM output:
 - Type OPTO output
 - Duration 0.1 Hz (10 seconds)
 - Resolution 20000 steps

The input signal 0....10V is directly translated to PWM signal of 0....100%.

Order code

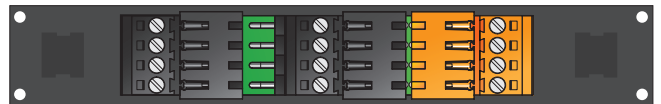
Product Type	Regula Pulse	Regula Pulse Combi
Regula Pulse		
Regula Pulse Combi		

Regula Pulse adaptor

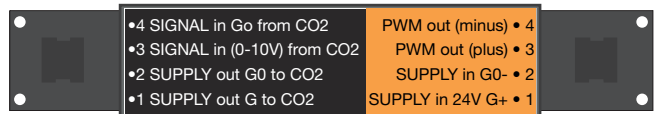


Regula Pulse Combi

Without cover:



With cover:



On the Regula Pulse Combi casing the connection terminals are described. See photo above.

The black side with power supply and input for 0-10V signal 1-4 must be connected with cable to the modulating CO₂ or RH sensor.

The orange side with power supply and PWM signal must be connected with cable directly to Regula Combi.

Wiring Regula Pulse Combi

