

Valve

KSU



Description

Valve for extract air.
 Designed for wall or ceiling mounting.
 Bayonet holders connect to socket VRGU, VRGL, or VRGM.

Materials and finish

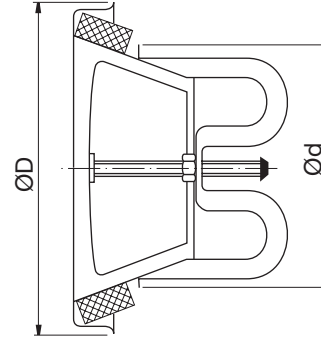
Material

Coated galvanized sheet metal.

Colour

White RAL 9003, gloss 30 or white RAL 9010 gloss 30.

Dimensions



| Ød nom | ØD [mm] | m [kg] |
|-----------|------------|-----------|
| 100 | 135 | 0,28 |
| 125 | 162 | 0,38 |
| 150 | 189 | 0,45 |
| 160 | 192 | 0,48 |
| 200 | 242 | 0,75 |

Technical data

For technical data go to [LindQST calculator](#).

Ordering example

