

# Valve

# KIR



## Description

Valve for supply air.  
Designed for ceiling mounting.  
Equipped with a removable blanking-off sector plate (KIRS) for preventing the airflow in a desired direction.  
Bayonet holders connect to socket VRGU, VRGL or VRGM.

## Maintenance

The visible parts can be wiped with a damp cloth.

## Materials and finish

### Material

Coated galvanized sheet metal.

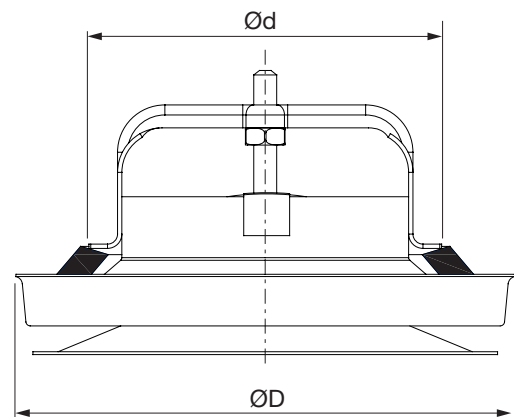
### Colour

White RAL 9003, gloss 30 or white RAL 9010 gloss 30.

## Ordering example

Product	KIR	100
Dimension Ød		

## Dimensions



Ød nom	ØD [mm]	m [kg]
100	138	0,29
125	175	0,43
160	214	0,59

## Technical data

For technical data go to [LindQST calculator](#).