

# Valve

# KIR



## Description

Valve for supply air.  
Designed for ceiling mounting.  
Equipped with a removable blanking-off sector plate (KIRS) for preventing the airflow in a desired direction.  
Bayonet holders connect to socket VRGU, VRGL or VRGM.

## Maintenance

The visible parts can be wiped with a damp cloth.

## Materials and finish

### Material

Coated galvanized sheet metal.

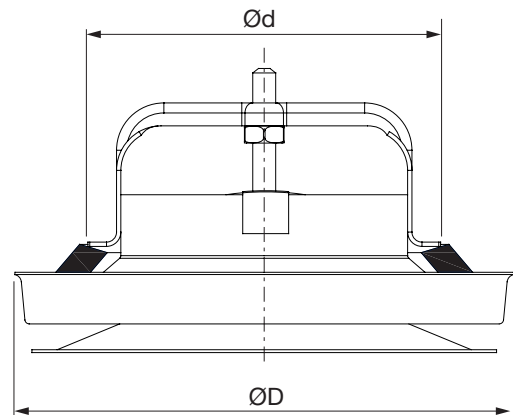
### Colour

White RAL 9003, gloss 30 or white RAL 9010 gloss 30.

## Ordering example

|              |     |     |
|--------------|-----|-----|
| Product      | KIR | 100 |
| Dimension Ød |     |     |

## Dimensions



| Ød<br>nom | ØD<br>[mm] | m<br>[kg] |
|-----------|------------|-----------|
| 100       | 138        | 0,30      |
| 125       | 175        | 0,42      |
| 160       | 214        | 0,60      |

## Technical data

For technical data go to [LindQST calculator](#).